



Autodialler Speech Dialler

The Autodialler makes use of a standard telephone line to call pre-programmed telephone numbers to warn of an intrusion. If an intruder is detected, the Autodialler automatically sends a call to any pre-programmed telephone number, providing a fast reliable warning and ensuring total peace of mind.

The Autodialler will connect to alarm control panels or can be used as a stand alone device, connected to a triggered relay output.

PRODUCT CODE

HYL004 Telephone Autodialler

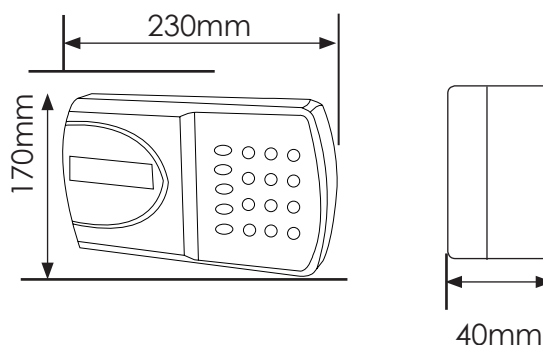
UNIQUE FEATURES

LCD display
Programmable 9 x 32 - digit phone numbers for each trigger
Battery backed up built in memory for telephone numbers and programmed settings
12V DC external supply required
Remote cancelling of next dialled number
Two 10 second duration user recordable messages, one for each trigger

END USER BENEFITS

Dual trigger design for separate alerts
Easy to connect to alarm control panels
Low maintenance
Can be used as a stand alone communicator

DIMENSIONS



Please note GJD reserve the right to change the information within this document, without notice.

www.gjd.co.uk | info@gjd.co.uk | +44 (0) 1706 363 998

Unit 2 Birch Business Park, Whittle Lane, Heywood, Greater Manchester, OL10 2SX, UK

DS004-10-05-15